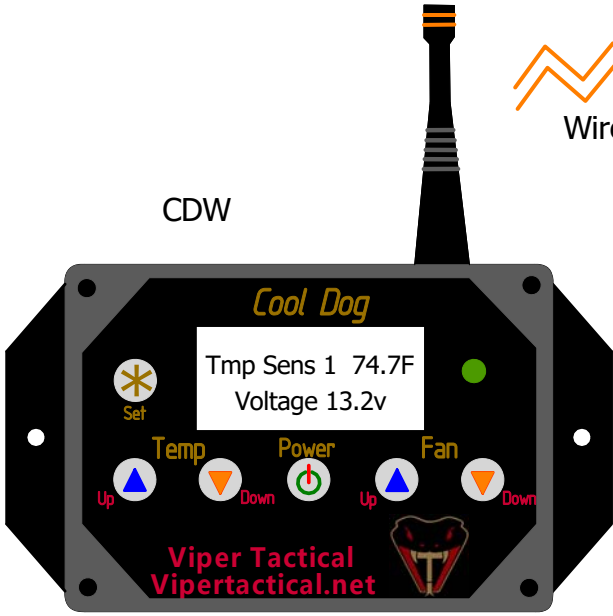
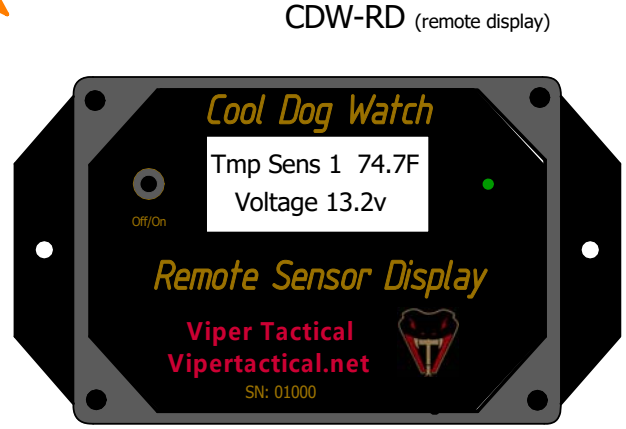


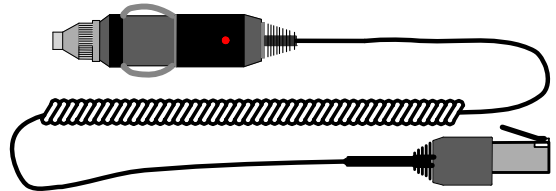
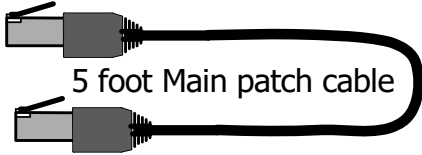
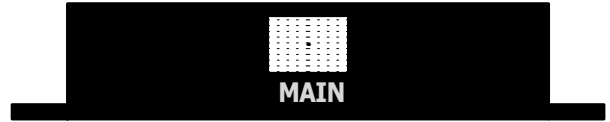
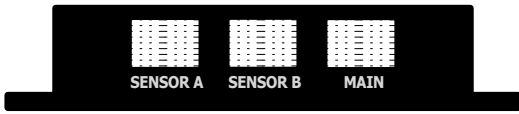
Cool Dog Watch "Complete"



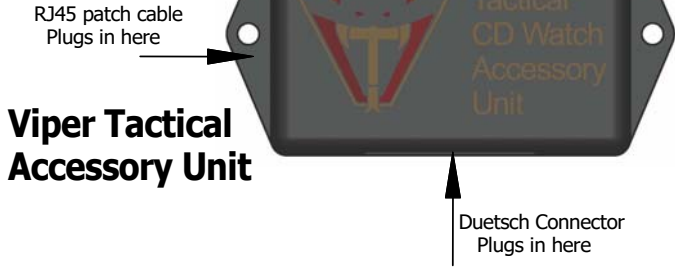
Connector Side



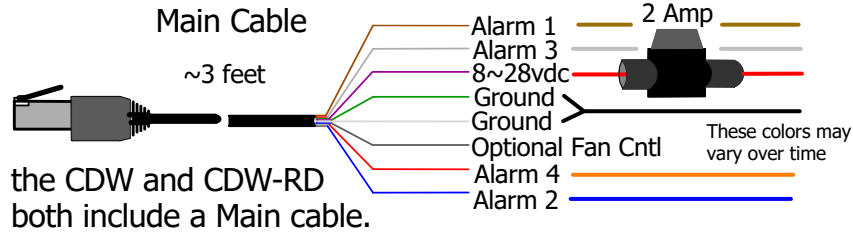
Connector Side



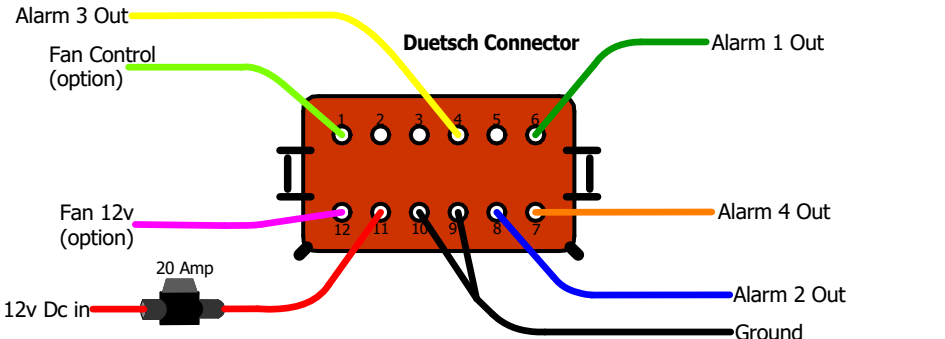
The CDW-RD also includes a lighter plug power cord, for quick connection in the tow vehicle, as well as the Main cable



Viper Tactical Accessory Unit



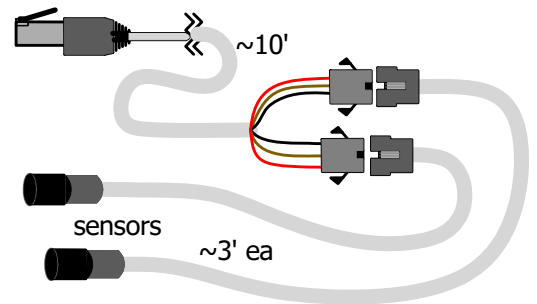
the CDW and CDW-RD both include a Main cable.



- Alarm output formats:
- 1) 1 second on, 3 second off, intended as a light flash or horn honk
 - 2) Constant High
 - 3) 1 Sec on, 1 min Off (this is normally setup for ground output, to signal a optional pager unit)
 - 4) Constant on if B+ (DC in) falls below alarm set point

Outputs are normally setup for 12v switching output, except Alarm 3. Outputs can be changed to ground switching. 28v version is also available.

Sensor A & B cable configuration (for CDW only)



Custom sensor cables can be made upon request, with no, to a minimal charge, (depends on the length)
Sensors have a temperature range of 35F to 230F